



HOODED DESK SCREEN

ezoBord



Meet “Hoody”

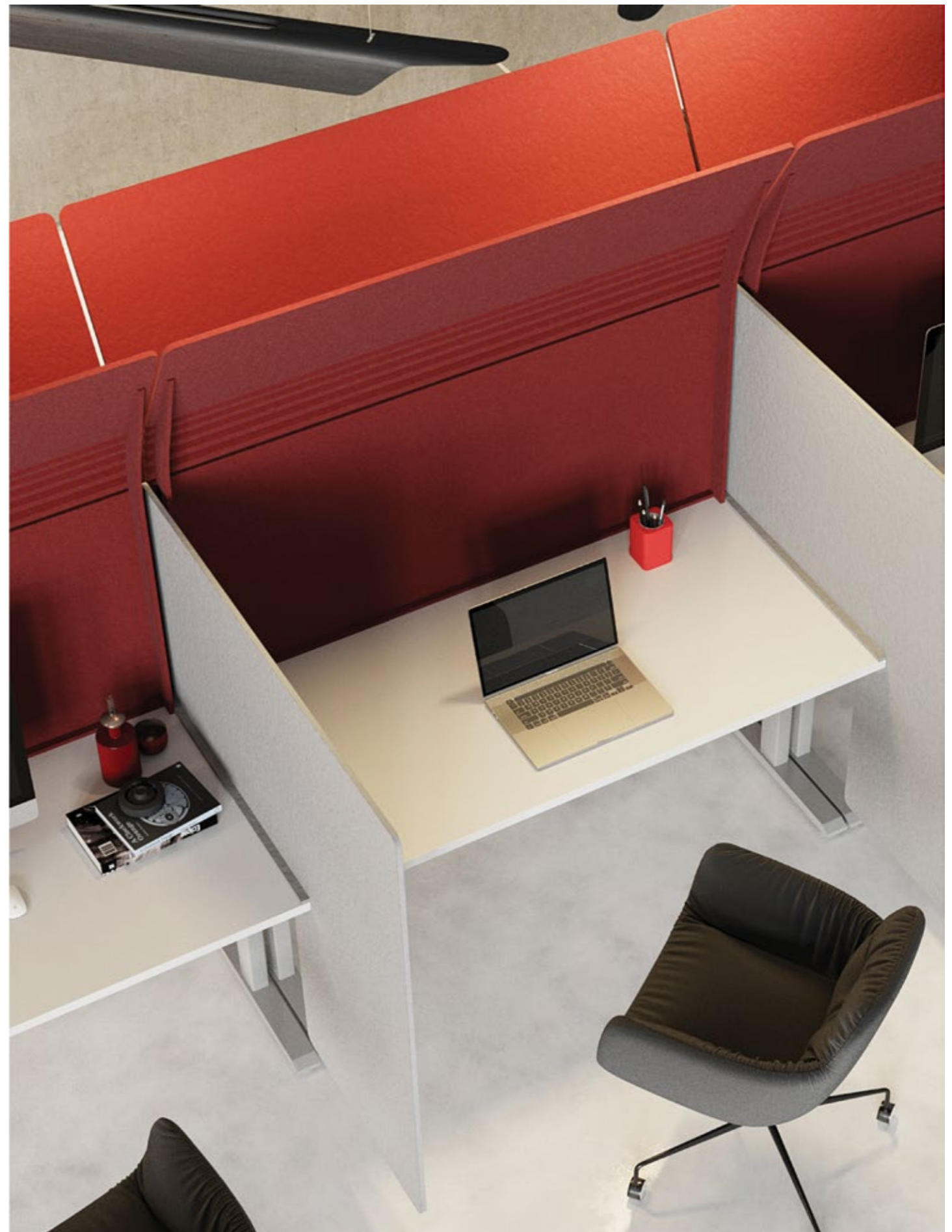
Retrofittable Modular Desk Divider System

Instantly transform your open plan office space into individually separated, quiet workspaces with ezoBord's modular Hooded Desk divider system nicknamed “Hoody”.

The 'Hoody' installs in seconds without the use of any tools and fits onto any new or existing desking/benching system. Compatible with virtually any manufacturer including all major office furniture brands.



ezoBord Hooded Desk Screen charcoal gray



Configurations

Single Hoody

'Hoody's' can be added in seconds to any fixed height or adjustable height desks. No tools required.



Linked Hoody's

For fixed height workstations, infinitely link 'Hoody's' together on any fixed height bench system.



Multiple independent Hoody's

For use with height adjustable desking applications. Configurable in rows or back to back creating left/right and vertical social barriers. Add as many 'Hoody's' as you require.



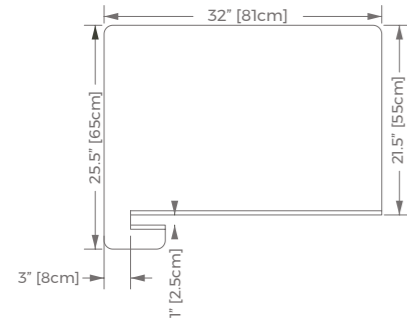
Mix & Match Your Colors



Components

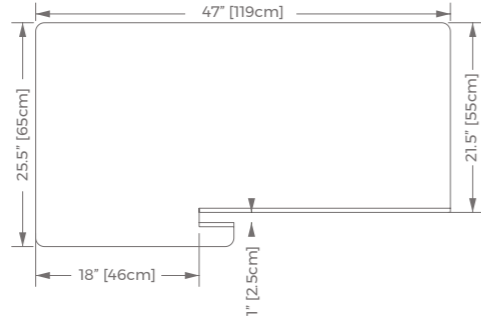
Return Screen

RTS-RS-243420



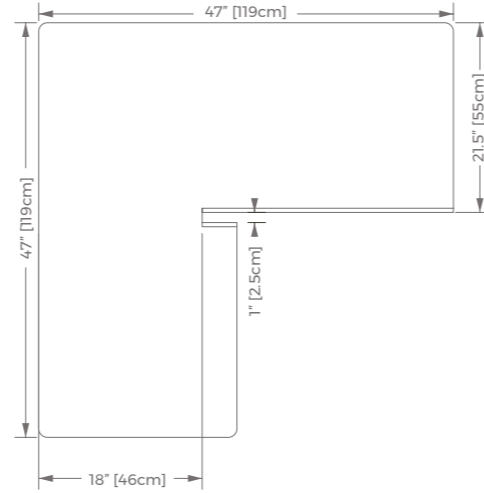
Extended Return Screen

RTS-EX-244820



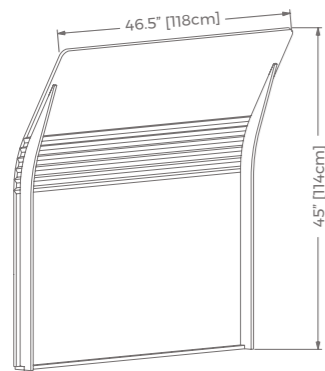
Full Height Return Screen

RTS-FH-484820



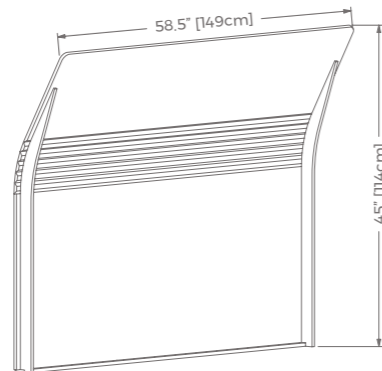
Hoody-Tall (48")

HDS-4845



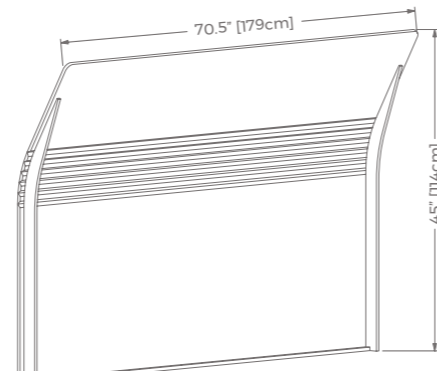
Hoody - Grande (60")

HDS-6045



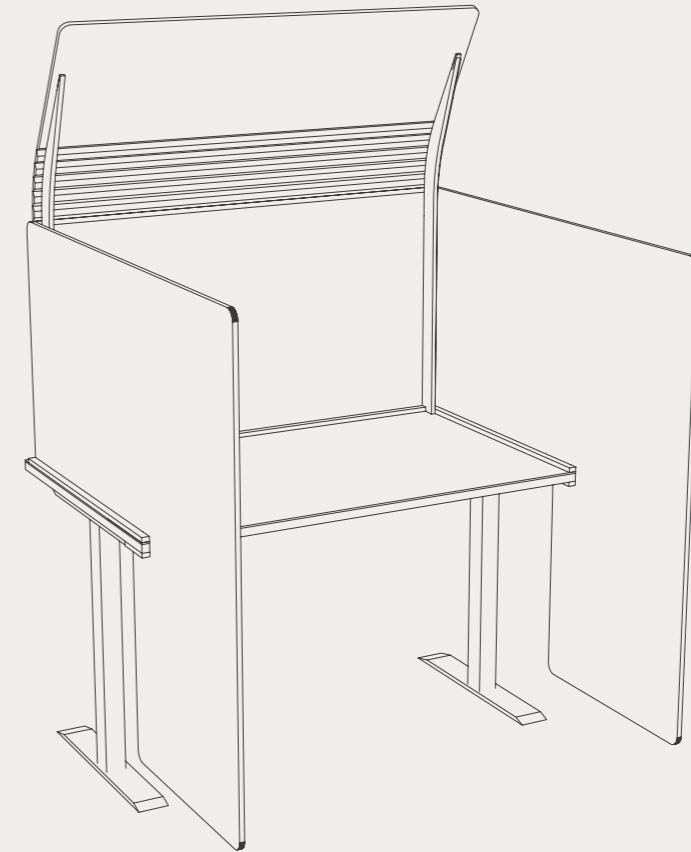
Hoody - Venti (72")

HDS-7245



Hoody's fit onto standard 24" (610mm) and 30" (752mm) deep worksurfaces and are available in 3 standard widths: 48" (1220mm), 60" (1524mm) and 72" (1828mm)
Custom sizes and access ways for cable management and monitor arm attachment are available upon request.

Specifications



COMPOSITION

100% PET
(min. %50 recycled content)

THICKNESS

1/2" (12mm) | ±0.5mm

HARDNESS

60-65 (Shore C)

ACOUSTICS

1/2" (12mm): NRC 0.80 (subject to mounting conditions)

FIRE TESTING

ASTM E-84 Class A**
CAN ULC S102-10 · Europe and UK:
EN13501-1: 2007

ENVIRONMENT

Made of polyester fiber, min. 50% of which comes from recycled

water bottles which contributes to LEED MR Credit and BREEAM Health and Wellbeing, Materials points due to recycled content, acoustic performance, and low emitting materials.

No VOC's: CDPH v1.2 and REACH SVHC Compliant.

CLEANING AND MITIGATION OF MICROBIAL / VIRAL CONTAMINATION

Proper PPE must be worn ie. bleach odor

respirator, protective eyewear and gloves.

1. Mix equal amount of water and bleach (5.25% sodium hypochlorite solution).
2. Use a hand spray applicator to mist the surface of product, apply generously.
3. Allow treated surface to air dry.

(**) Upon request, 1/2"(12mm) sheet material is treated with flame retardant to Class A surface burning characteristics. Post sheet production FR treatment does not contain any Red List Restricted Chemicals and complies with California Proposition 65. Contact customer service for technical information, test data and safety data sheets for flame retardant.



Patent Pending

www.ezobord.com

ezoBord™



www.ezobord.com

ezoBord - the evolution of high-performance acoustic material. Flexible, lightweight, easy to install and cost-effective. Sound absorption with endless creative possibilities. In any shape. In any space.