

# TRANSIT™ WHITEBOARD

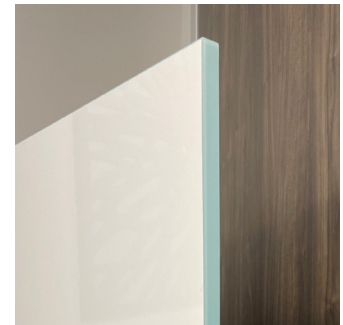
Price Effective - January 1, 2022



## STREAMLINED, DURABLE AND MOBILE

Streamlined, durable and mobile, the Transit Whiteboard rolls with your ideas wherever they happen. With TruBrite™ dry erase panels on both sides, our Transit Whiteboard gives you the space to organize, present and collaborate without compromising your creative flow. Functional space separation with a sleek design, the Transit Whiteboard merges with any existing workspace layout and workstyle.

- TruBrite™ HPL dry erase surface is non-ghosting and easy to clean
- Mobile feet include 3" locking casters
- Base framework is constructed using aluminum extrusion
- Nesting base design allows for easy space-saving storage
- Made in the USA



Green Glass (E11) Edgeband

### How to build your SKU:

Step 1:  
Choose your  
Model

2FE

Step 2:  
Choose your  
Width

42

Choose your  
Height

72

Step 3:  
Choose your  
Frame Color

AA

Step 4:  
Choose your  
Edge Band Color

E11

## TRANSIT™ WHITEBOARD

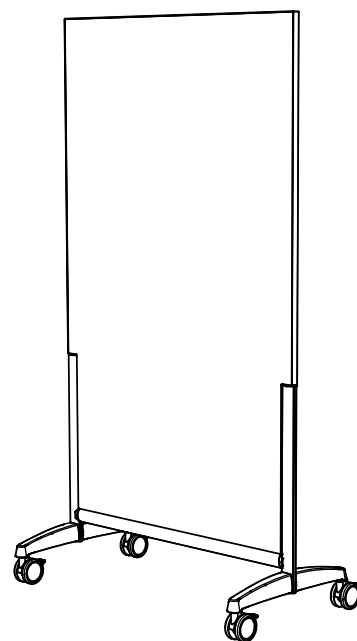
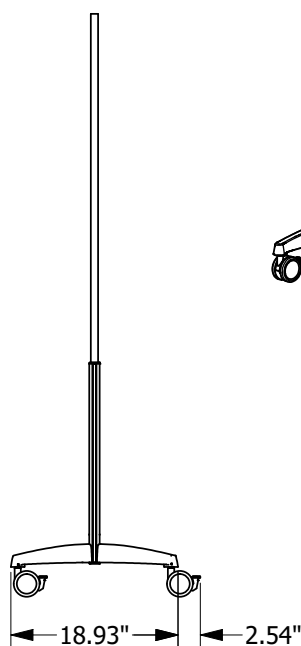
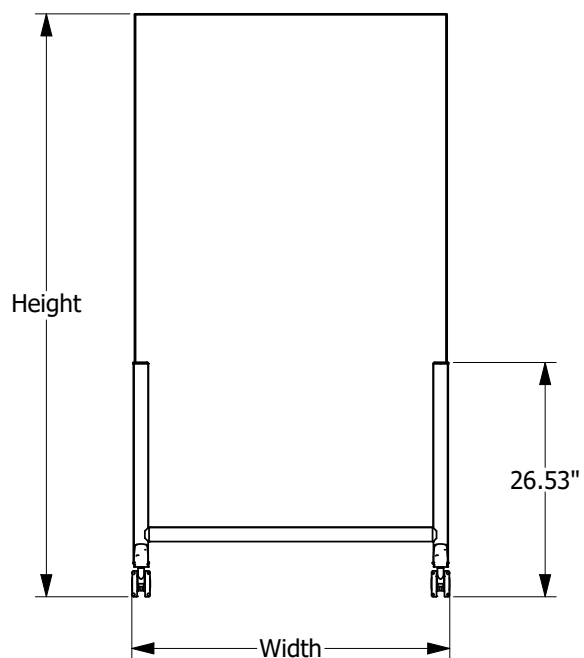
Model	Width	Height	Frame Color	Edge Band
2FE Transit™ Whiteboard	36"	66"	AA Satin Aluminum	E10 Multi-plywood
	42"	72"	BK Black	E11 Translucent Green
	48"			E12 Brushed Aluminum
				E13 Black
			E14 White	

# TRANSIT™ WHITEBOARD

## TRANSIT™ WHITEBOARD

### Model 2FE

Width	Height	Price	Weight (lbs)
36"	66"	\$1,495	39
36"	72"	\$1,510	41
42"	66"	\$1,530	44
42"	72"	\$1,545	48
48"	66"	\$1,565	49
48"	72"	\$1,585	53



# MATERIALS & FINISHES

## DRY ERASE SURFACES



TruBrite™ Whiteboard  
WB

## FRAMES



Satin Aluminum  
AA



Black  
BK

## EDGE BAND



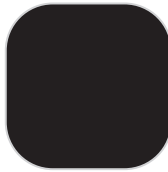
Multi-plywood  
E10



Translucent Green  
E11



Brushed Aluminum  
E12



Black  
E13



White  
E14